

**Chlorine gas
measuring sensor**
series **M 2103 C**



- *chemical additives are not necessary*
- *signal is proportional to gas concentration*
- *minimal maintenance costs*

General:

The M 2103 C series Controlmatik ABW measuring probe for chlorine gas is designed to measure and indicate chlorine concentrations in the air.

The probe is mounted in an IP 65 housing and is connected via connector to the amplifying electronics, which is also mounted in the IP 65 housing.

Sensor is, with two-wire current loop, connected to the unit according to the enclosed scheme.

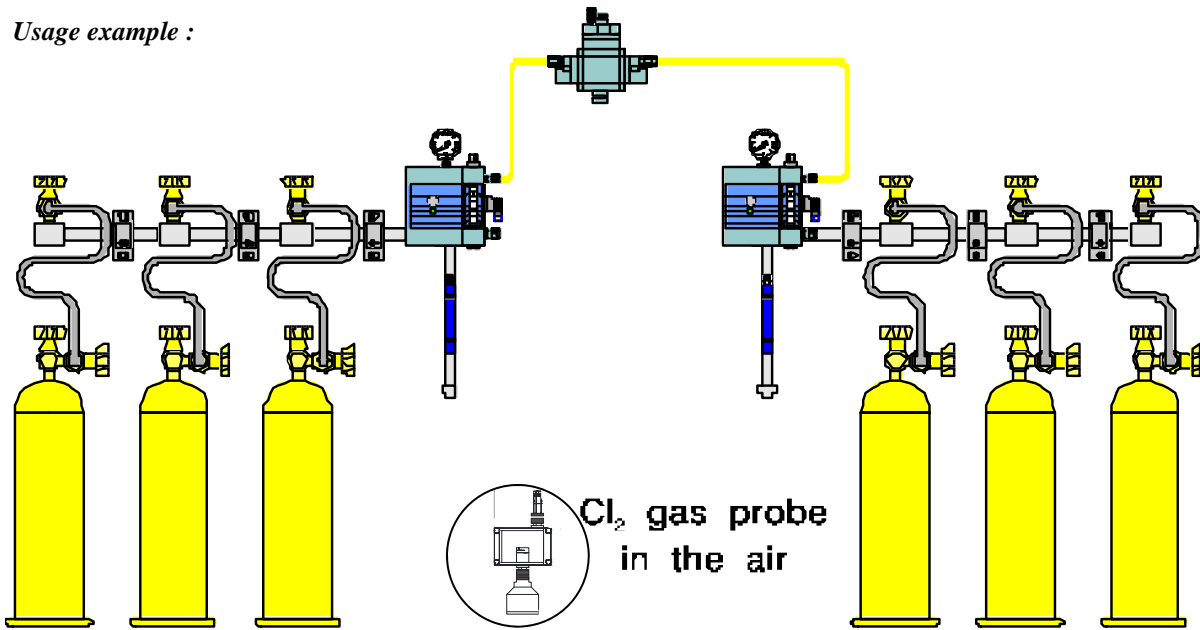
The M 2103 C Series Measuring Probe is used to measure and indicate chlorine gas in the air and to provide safety in storage areas and in places where the gaseous chlorine and Natrium Hypochlorite are dosaged.

The sensor operates on the basis of chemical cell and a diffuse capillar blockade. The hydrochloric acid concentrate in the chemical cell is regenerated during the chemical reaction and a free oxygen is released; the quantity of the released oxygen defines the signal at the output.

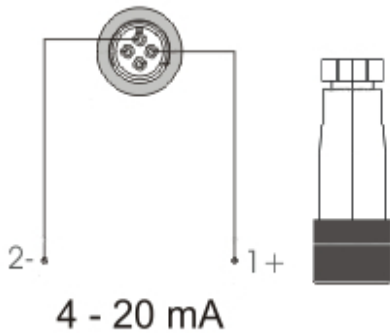


Sensor in a separate housing - easy to exchange!

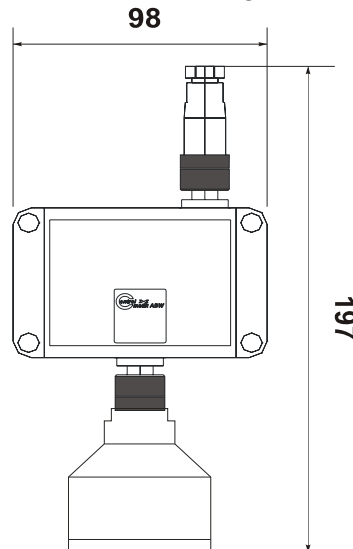
Usage example :



Connection schematics :



Dimensional drawings :



Technical data :

Measuring unit:	PPM
Temperature range:	from - 20 to + 50°C
Resolution at 20°C:	0,1 PPM
Repeatability:	2%
Measuring range:	0 - 20 PPM
Pressure operating range:	from 90 to 1100 mBar
Relative moisture operating: range - permanently:	15-90%
Product lifetime: (without shock concentrations):	2 years
Current output:	4 - 20 mA
Supply voltage:	9 - 26 VDC
Protection:	P 65
Dimensions:	98 x 197 x 50 mm
Weight:	0.5 kg

1 PPM Cl₂ = 3,214 mgCl₂/m³



YOUR PARTNER IN WATER
TREATMENT TECHNOLOGY

Fajfarjeva 15, 1230 Domzale,
Slovenija

Tel. +386 1 72 13 552,

Fax +386 1 72 19 360

www.controlmatik-abw.si