

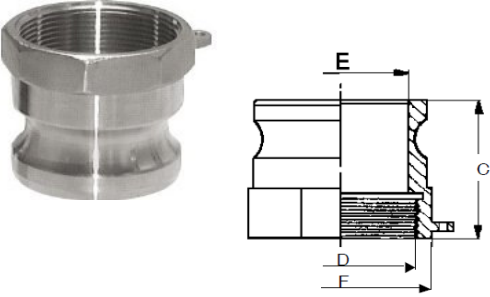
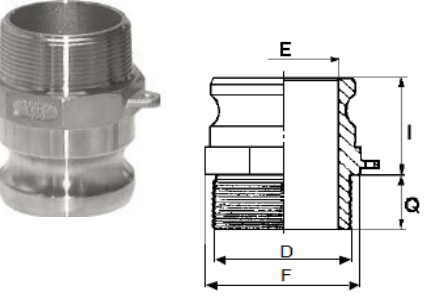
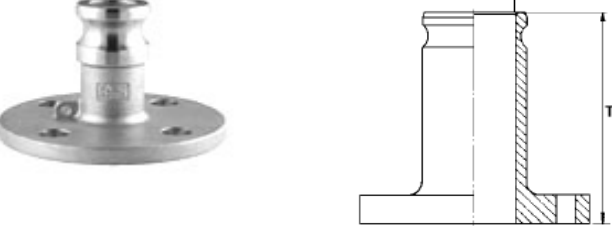
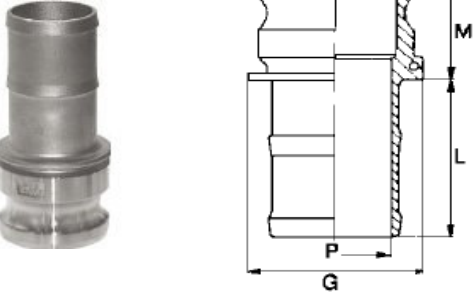
CAMLOCK - KAMLOK

INDUSTRIAL Hose,Couplings

Material: Aluminium,Stainless Steel,Polypropylene,Brass

Endüstriyel Hortum Kamlokları

Malzeme: Alüminyum,Paslanmaz,Polipropilen,Bronz

| ISO 7/1 R FEMALE THREADED MALE COUPLING | | ISO 7/1 R DIŞİ DIŞLİ ERKEK KAMLOK | | | | | | |
|---|--------|------------------------------------|-----|-----------|-----|-----|-----|-----|
|  | TİP | KOD | DN | D-ISO 7/1 | C | E | F | |
| | A | GBL000 | 15 | 1/2" | 40 | 15 | 32 | |
| | A | GBL001 | 20 | 3/4" | 40 | 19 | 34 | |
| | A | GBL002 | 25 | 1" | 48 | 24 | 40 | |
| | A | GBL003 | 32 | 1 1/4" | 56 | 28 | 46 | |
| | A | GBL004 | 40 | 1 1/2" | 56 | 36 | 55 | |
| | A | GBL005 | 50 | 2" | 62 | 46 | 70 | |
| | A | GBL006 | 65 | 2 1/2" | 74 | 58 | 83 | |
| | A | GBL007 | 80 | 3" | 74 | 72 | 98 | |
| | A | GBL008 | 100 | 4" | 75 | 100 | 124 | |
| | A | GBL009 | 125 | 5" | 79 | 120 | 158 | |
| A | GBL010 | 150 | 6" | 89 | 150 | 197 | | |
| ISO 7/1 R MALE THREADED MALE COUPLING | | ISO 7/1 R ERKEK DIŞLİ ERKEK KAMLOK | | | | | | |
|  | TİP | KOD | DN | D-ISO 7/1 | I | Q | E | F |
| | F | GBL011 | 15 | 1/2" | 40 | 18 | 15 | 32 |
| | F | GBL012 | 20 | 3/4" | 40 | 18 | 19 | 34 |
| | F | GBL013 | 25 | 1" | 48 | 20 | 24 | 40 |
| | F | GBL014 | 32 | 1 1/4" | 56 | 22 | 28 | 46 |
| | F | GBL015 | 40 | 1 1/2" | 56 | 24 | 36 | 55 |
| | F | GBL016 | 50 | 2" | 63 | 24 | 46 | 70 |
| | F | GBL017 | 65 | 2 1/2" | 69 | 26 | 58 | 83 |
| | F | GBL018 | 80 | 3" | 71 | 30 | 72 | 98 |
| | F | GBL019 | 100 | 4" | 77 | 30 | 100 | 124 |
| | F | GBL020 | 125 | 5" | 88 | 34 | 120 | 158 |
| F | GBL021 | 150 | 6" | 88 | 40 | 150 | 197 | |
| PN 16 FLANGED MALE COUPLING& | | PN 16 FİLANŞLI ERKEK KAMLOK | | | | | | |
|  | TİP | KOD | DN | E | T | | | |
| | LAS | GBL022 | 15 | 15 | 65 | | | |
| | LAS | GBL023 | 20 | 19 | 67 | | | |
| | LAS | GBL024 | 25 | 24 | 75 | | | |
| | LAS | GBL025 | 32 | 28 | 92 | | | |
| | LAS | GBL026 | 40 | 36 | 92 | | | |
| | LAS | GBL027 | 50 | 46 | 94 | | | |
| | LAS | GBL028 | 65 | 58 | 98 | | | |
| | LAS | GBL029 | 80 | 72 | 106 | | | |
| | LAS | GBL030 | 100 | 100 | 108 | | | |
| | LAS | GBL031 | 125 | 120 | 110 | | | |
| LAS | GBL032 | 150 | 150 | 134 | | | | |
| LAS | GBL033 | 200 | 193 | 176 | | | | |
| HOSE SHANK MALE COUPLING | | HORTUM ERKEK KAMLOK | | | | | | |
|  | TİP | KOD | DN | E | G | L | M | P |
| | E | GBL034 | 15 | 15 | 34 | 43 | 28 | 10 |
| | E | GBL035 | 20 | 19 | 34 | 51 | 33 | 14 |
| | E | GBL036 | 25 | 24 | 40 | 57 | 44 | 20 |
| | E | GBL037 | 32 | 28 | 50 | 58 | 52 | 25 |
| | E | GBL038 | 40 | 36 | 57 | 61 | 54 | 32 |
| | E | GBL039 | 50 | 46 | 72 | 71 | 58 | 42 |
| | E | GBL040 | 65 | 58 | 86 | 81 | 61 | 56 |
| | E | GBL041 | 80 | 72 | 103 | 100 | 66 | 66 |
| | E | GBL042 | 100 | 100 | 130 | 110 | 67 | 93 |
| | E | GBL043 | 125 | 120 | 160 | 125 | 77 | 113 |
| E | GBL044 | 150 | 150 | 187 | 145 | 78 | 141 | |
| E | GBL045 | 200 | 193 | 235 | 190 | 104 | 186 | |

CAMLOCK - KAMLOK

INDUSTRIAL Hose,Couplings

Material: Aluminium,Stainless Steel,Polypropylene,Brass

Endüstriyel Hortum Kamlokları

Malzeme: Alüminyum,Paslanmaz,Polipropilen,bronz

| ISO 7/1 Rc FEMALE THREADED FEMALE COUPLING | | ISO 7/1 R DIŞİ DIŞLİ DIŞİ KAMLOK | | | | | | | | |
|--|--------|-----------------------------------|-----|-----------|-----|-----|-----|-----|-----|--|
| | TİP | KOD | DN | D-ISO 7/1 | A | B | K | L | N | |
| | D | GBL046 | 15 | 1/2" | 117 | 62 | 18 | 32 | 15 | |
| | D | GBL047 | 20 | 3/4" | 117 | 62 | 18 | 32 | 20 | |
| | D | GBL048 | 25 | 1" | 137 | 66 | 20 | 40 | 24 | |
| | D | GBL049 | 32 | 1¼" | 184 | 82 | 22 | 50 | 30 | |
| | D | GBL050 | 40 | 1½" | 191 | 82 | 24 | 50 | 40 | |
| | D | GBL051 | 50 | 2" | 200 | 99 | 24 | 54 | 50 | |
| | D | GBL052 | 65 | 2½" | 213 | 126 | 26 | 56 | 60 | |
| | D | GBL053 | 80 | 3" | 254 | 138 | 30 | 58 | 75 | |
| | D | GBL054 | 100 | 4" | 279 | 169 | 30 | 60 | 90 | |
| | D | GBL055 | 125 | 5" | 306 | 198 | 34 | 69 | 113 | |
| D | GBL056 | 150 | 6" | 416 | 265 | 40 | 69 | 146 | | |
| ISO 7/1 R MALE THREADED MALE COUPLING | | ISO 7/1 R ERKEK DIŞLİ DIŞİ KAMLOK | | | | | | | | |
| | TİP | KOD | DN | D-ISO 7/1 | A | B | H | L | N | |
| | B | GBL057 | 15 | 1/2" | 117 | 62 | 18 | 32 | 15 | |
| | B | GBL058 | 20 | 3/4" | 117 | 62 | 18 | 32 | 20 | |
| | B | GBL059 | 25 | 1" | 137 | 66 | 20 | 40 | 24 | |
| | B | GBL060 | 32 | 1¼" | 184 | 82 | 22 | 50 | 30 | |
| | B | GBL061 | 40 | 1½" | 191 | 82 | 24 | 50 | 40 | |
| | B | GBL062 | 50 | 2" | 200 | 99 | 24 | 54 | 50 | |
| | B | GBL063 | 65 | 2½" | 213 | 126 | 26 | 56 | 60 | |
| | B | GBL064 | 80 | 3" | 254 | 138 | 30 | 58 | 75 | |
| | B | GBL065 | 100 | 4" | 279 | 169 | 30 | 60 | 90 | |
| | B | GBL066 | 125 | 5" | 306 | 198 | 34 | 69 | 113 | |
| B | GBL067 | 150 | 6" | 416 | 265 | 40 | 69 | 146 | | |
| PN 16 FLANGED FEMALE COUPLING | | PN 16 FİLANŞLI DIŞİ KAMLOK | | | | | | | | |
| | TİP | KOD | DN | A | B | L | U | | | |
| | LBS | GBL068 | 15 | 117 | 62 | 32 | 82 | | | |
| | LBS | GBL069 | 20 | 117 | 62 | 32 | 84 | | | |
| | LBS | GBL070 | 25 | 137 | 66 | 40 | 94 | | | |
| | LBS | GBL071 | 32 | 184 | 82 | 50 | 122 | | | |
| | LBS | GBL072 | 40 | 191 | 82 | 50 | 124 | | | |
| | LBS | GBL073 | 50 | 200 | 99 | 54 | 124 | | | |
| | LBS | GBL074 | 65 | 213 | 126 | 56 | 124 | | | |
| | LBS | GBL075 | 80 | 254 | 138 | 58 | 138 | | | |
| | LBS | GBL076 | 100 | 279 | 169 | 60 | 138 | | | |
| | LBS | GBL077 | 125 | 306 | 198 | 69 | 140 | | | |
| LBS | GBL078 | 150 | 416 | 265 | 69 | 182 | | | | |
| LBS | GBL079 | 200 | 514 | 300 | 102 | 222 | | | | |
| HOSE SHANK FEMALE COUPLING | | HORTUM DIŞİ KAMLOK | | | | | | | | |
| | TİP | KOD | DN | A | B | J | L | P | S | |
| | C | GBL080 | 15 | 108 | 62 | 43 | 32 | 10 | 16 | |
| | C | GBL081 | 20 | 117 | 62 | 51 | 32 | 14 | 21 | |
| | C | GBL082 | 25 | 137 | 66 | 57 | 40 | 20 | 26 | |
| | C | GBL083 | 32 | 184 | 82 | 58 | 50 | 25 | 34 | |
| | C | GBL084 | 40 | 191 | 92 | 61 | 50 | 32 | 42 | |
| | C | GBL085 | 50 | 200 | 99 | 71 | 54 | 42 | 52 | |
| | C | GBL086 | 65 | 213 | 126 | 81 | 56 | 56 | 68 | |
| | C | GBL087 | 80 | 254 | 138 | 100 | 58 | 66 | 80 | |
| | C | GBL088 | 100 | 279 | 169 | 110 | 60 | 93 | 103 | |
| | C | GBL089 | 125 | 306 | 198 | 125 | 69 | 113 | 130 | |
| C | GBL090 | 150 | 416 | 265 | 145 | 69 | 141 | 158 | | |
| C | GBL091 | 200 | 514 | 300 | 190 | 102 | 186 | 204 | | |

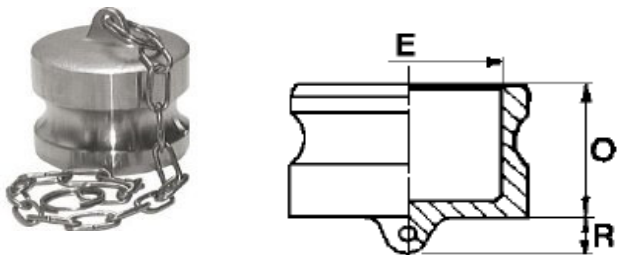
CAMLOCK - KAMLOK

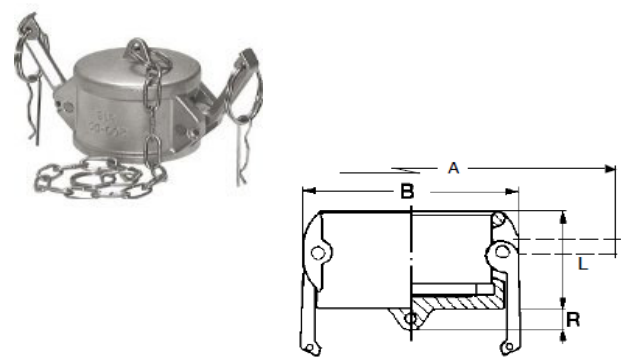
INDUSTRIAL Hose,Couplings

Material: Aluminium,Stainless Steel,Polypropylene,Brass


Endüstriyel Hortum Kamlokları

Malzeme: Alüminyum,Paslanmaz,Polipropilen,bronz

| DUST PLUG | | ERKEK KÖRTAPA | | | | | |
|---|--------|---------------|-----|-----|----|----|--|
|  | TİP | KOD | DN | E | O | R | |
| | DP | GBL092 | 15 | 15 | 28 | 8 | |
| | DP | GBL093 | 20 | 19 | 28 | 8 | |
| | DP | GBL094 | 25 | 24 | 36 | 10 | |
| | DP | GBL095 | 32 | 28 | 42 | 10 | |
| | DP | GBL096 | 40 | 36 | 47 | 10 | |
| | DP | GBL097 | 50 | 46 | 53 | 11 | |
| | DP | GBL098 | 65 | 58 | 53 | 11 | |
| | DP | GBL099 | 80 | 72 | 53 | 11 | |
| | DP | GBL100 | 100 | 100 | 53 | 11 | |
| | DP | GBL101 | 125 | 120 | 59 | 15 | |
| | DP | GBL102 | 150 | 150 | 60 | 15 | |
| DP | GBL103 | 200 | 193 | 125 | 15 | | |


| DUST PLUG | | DIŞI KÖRTAPA | | | | | | |
|--|-----|--------------|-----|-----|-----|-----|----|--|
|  | TİP | KOD | DN | A | B | L | R | |
| | DC | GBL104 | 15 | 117 | 62 | 32 | 8 | |
| | DC | GBL105 | 20 | 117 | 62 | 32 | 8 | |
| | DC | GBL106 | 25 | 137 | 66 | 40 | 10 | |
| | DC | GBL107 | 32 | 184 | 82 | 50 | 10 | |
| | DC | GBL108 | 40 | 191 | 92 | 50 | 10 | |
| | DC | GBL109 | 50 | 200 | 99 | 54 | 11 | |
| | DC | GBL110 | 65 | 213 | 126 | 56 | 11 | |
| | DC | GBL111 | 80 | 254 | 138 | 58 | 11 | |
| | DC | GBL112 | 100 | 279 | 169 | 60 | 11 | |
| | DC | GBL113 | 125 | 306 | 198 | 69 | 15 | |
| | DC | GBL114 | 150 | 416 | 265 | 69 | 15 | |
| | DC | GBL115 | 200 | 514 | 300 | 102 | 15 | |

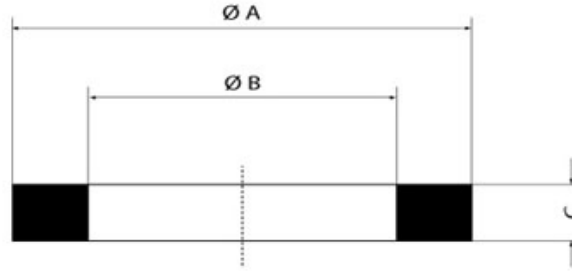
CAM LOCK HANDLES PIN

| | | |
|---|--------|------------|
|  | KOD | DN |
| | GBL116 | 1/2"-3/4" |
| | GBL117 | 1" |
| | GBL118 | 1¼"-1½"-2" |
| | GBL119 | 3"-4"-5" |
| | GBL120 | 6" |
| | GBL121 | 8" |

CAM LOCK GASGET NBR,EPDM,VITON

KAMLOK CONTA NBR,EPDM,VİTON

|  | -40+120° | | -60+160° | | -60+204° | |
|---|----------|---------|-------------|---------|-----------|---------|
| | KOD-NBR | DN INC | KOD-SİLİKON | DN INC | KOD-VİTON | DN INC |
| | GBL122 | 15 1/2" | GBL123 | 15 1/2" | GBL135 | 15 1/2" |
| GBL123 | 20 3/4" | GBL124 | 20 3/4" | GBL136 | 20 3/4" | |
| GBL124 | 25 1" | GBL125 | 25 1" | GBL137 | 25 1" | |
| GBL125 | 32 1¼" | GBL126 | 32 1¼" | GBL138 | 32 1¼" | |
| GBL126 | 40 1½" | GBL127 | 40 1½" | GBL139 | 40 1½" | |
| GBL127 | 50 2" | GBL128 | 50 2" | GBL140 | 50 2" | |
| GBL128 | 65 2½" | GBL129 | 65 2½" | GBL141 | 65 2½" | |
| GBL129 | 80 3" | GBL130 | 80 3" | GBL142 | 80 3" | |
| GBL130 | 100 4" | GBL131 | 100 4" | GBL143 | 100 4" | |
| GBL131 | 125 5" | GBL132 | 125 5" | GBL144 | 125 5" | |
| GBL132 | 150 6" | GBL133 | 150 6" | GBL145 | 150 6" | |
| GBL133 | 200 8" | GBL134 | 200 8" | GBL146 | 200 8" | |



| MATERIAL/MALZEME | TEMPERATURE/SICAKLIK |
|---------------------------|----------------------|
| BUNA-N | From-30°C to+110°C |
| EPDM | From-30°C to+140°C |
| VITON | From-20°C to+160°C |
| SILICONE/SİLİKON | From-60°C to+160°C |
| NEOPRENE | From-30°C to+120°C |
| FULL TEFLON/TAMAMI TEFLON | From-40°C to+200°C |
| PTFE WITH NBR FILLER | From-20°C to+160°C |
| PTFE WITH VITON FILLER | From-20°C to+200°C |
| PTFE WITH EPDM FILLER | From-40°C to+140°C |
| PTFE WITH SILICONE FILLER | From-40°C to+170°C |

| DN | A | B | C | NBR | EPDM | VITON |
|--------|-----|-----|-----|---------|---------|---------|
| 1/2" | 26 | 17 | 4 | 1100000 | 1200000 | 1300000 |
| 3/4" | 35 | 22 | 5,5 | 1100010 | 1200010 | 1300010 |
| 1" | 40 | 27 | 6,3 | 1100020 | 1200020 | 1300020 |
| 1 1/4" | 49 | 34 | 6,3 | 1100030 | 1200030 | 1300030 |
| 1 1/2" | 55 | 41 | 6,3 | 1100040 | 1200040 | 1300040 |
| 2" | 66 | 51 | 6,3 | 1100050 | 1200050 | 1300050 |
| 2 1/2" | 79 | 60 | 6,3 | 1100060 | 1200060 | 1300060 |
| 3" | 94 | 76 | 6,3 | 1100070 | 1200070 | 1300070 |
| 4" | 124 | 102 | 6,3 | 1100080 | 1200080 | 1300080 |
| 5" | 150 | 124 | 6,3 | 1100090 | 1200090 | 1300090 |
| 6" | 180 | 154 | 6,3 | 1100095 | 1200095 | 1300095 |

| SİZE/ÖLÇÜ | SILICONE | NEOPRENE | TEFLON | HYPALON | TEF/NBR | TEF/VI |
|-----------|----------|----------|---------|---------|---------|---------|
| 1/2" | 1400000 | 1500000 | 1600000 | 1700000 | 1800000 | 1900000 |
| 3/4" | 1400010 | 1500010 | 1600010 | 1700010 | 1800010 | 1900010 |
| 1" | 1400020 | 1500020 | 1600020 | 1700020 | 1800020 | 1900020 |
| 1 1/4" | 1400030 | 1500030 | 1600030 | 1700030 | 1800030 | 1900030 |
| 1 1/2" | 1400040 | 1500040 | 1600040 | 1700040 | 1800040 | 1900040 |
| 2" | 1400050 | 1500050 | 1600050 | 1700050 | 1800050 | 1900050 |
| 2 1/2" | 1400060 | 1500060 | 1600060 | 1700060 | 1800060 | 1900060 |
| 3" | 1400070 | 1500070 | 1600070 | 1700070 | 1800070 | 1900070 |
| 4" | 1400080 | 1500080 | 1600080 | 1700080 | 1800080 | 1900080 |
| 5" | 1400090 | 1500090 | 1600090 | 1700090 | 1800090 | 1900090 |
| 6" | 1400095 | 1500095 | 1600095 | 1700095 | 1800095 | 1900095 |