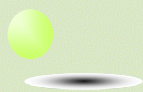


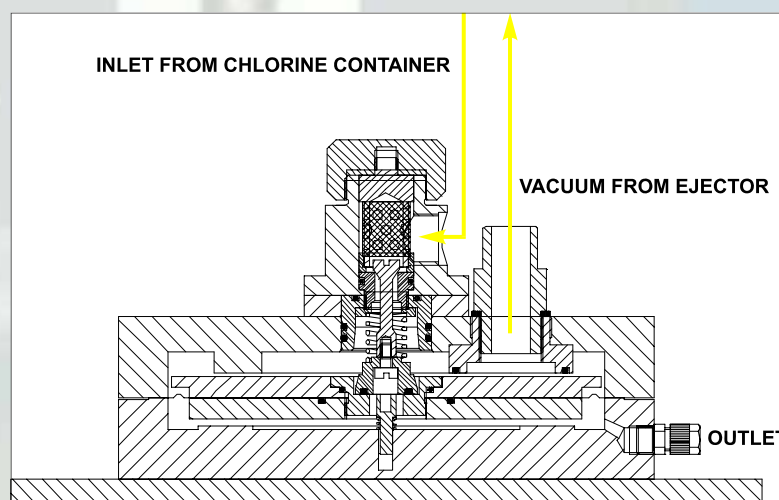
Vacuum regulators

series **M 50 C**



General:

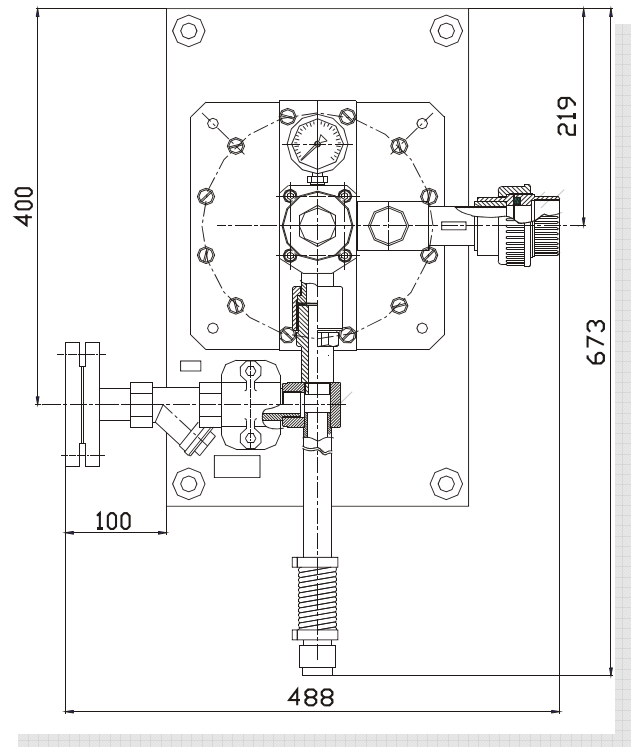
Vacuum regulators series M 50 C function in the same way as M 20 C Vacuum regulators, with the only difference that they are designed for dosing very high amounts of gas. M 50 C regulators consist of a inlet pressure valve, regulator head and a pressure gauge, and can optionally be equipped with liquid chlorine gas trap, y-strainer and heater. The max. dosing capacity of the M 50 C vacuum regulator is up to 200 kg/h.



Operation:

Gas pressure (Cl_2) builds up only at the back adapter massive part of the regulator. The inlet valve prevents gas from entering the system without control. When the ejector has generated enough vacuum to overcome the force of the non-return valve, gas chlorine travels along the vacuum line through the flow meter and the dosing valve to the ejector, where it thoroughly mixes with water.

Measure drawings:



Technical data :

Dosing Range : (in kg/h)

60 up to.....60
80 up to.....80
120 up to.....120
160 up to.....160
200 up to.....200

Dosing precision :
 ± 4% of the set value

Gas types :

C=Cl₂
S=SO₂
N=NH₃

Dimensions:

M50 : 673 x 488 x 179 mm

Weight :

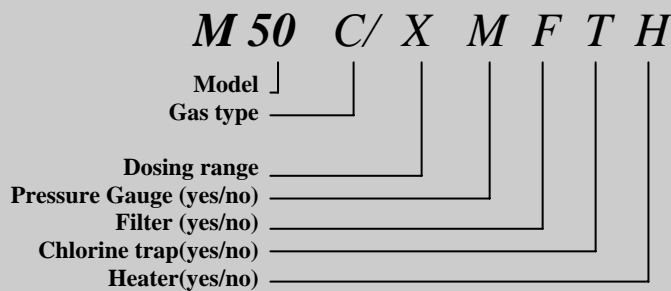
Connections:

Vacuum:
80 (80 kg/h) – D32 – 5/4"
120 (120 kg/h) – D32 – 5/4"
160 (160 kg/h) – D40 – 6/4"
200 (200 kg/h) – D50 – 2"

Pressure:

Flange connection D3/4" NP16
 DN20 (DIN2633)
 from 60 up to 120 kg

Order codes :



Options:

- Gas type , "C" - Cl₂, "S" - SO₂, "N" - NH₃
- Dosing range is chosen from technical data table and the suitable number is written into the ordering code
- Pressure gauge -"M" , without it the letter is not written in
- Filter "F", if selected, then chlorine gas trap "T" and heater "H" can't be present
- Chlorine gas trap "T", without it the letter is not written in
- Heater "H", can only be written in if the chlorine gas trap is present

Data is subject to change without notice.



YOUR PARTNER IN WATER TREATMENT TECHNOLOGY

Fajfarjeva 15, 1230 Domzale, Slovenija

Tel. +386 1 72 13 552,

Fax +386 1 72 19 360

www.controlmatik-abw.si